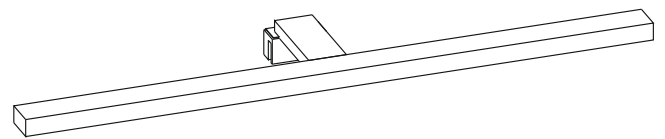
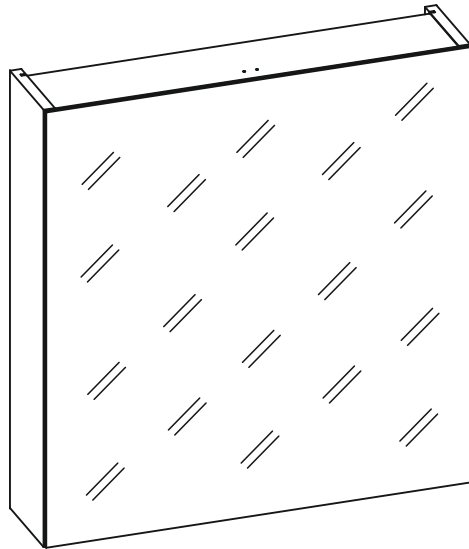









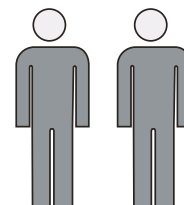
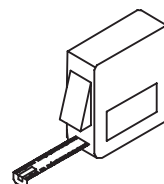
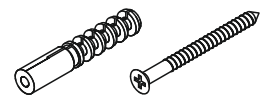
60 1D



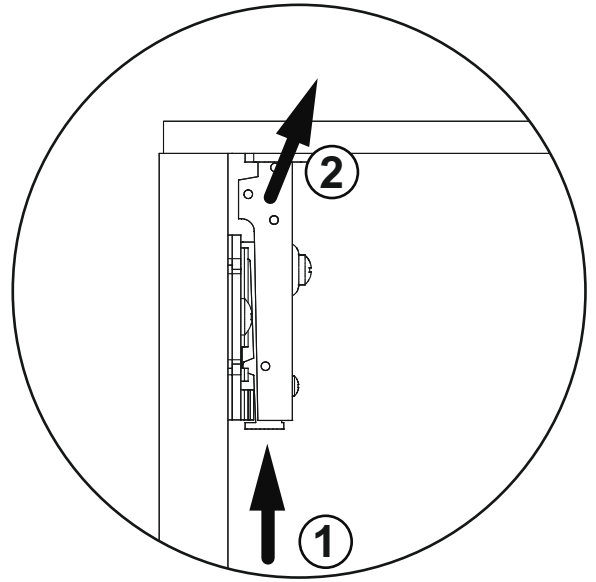
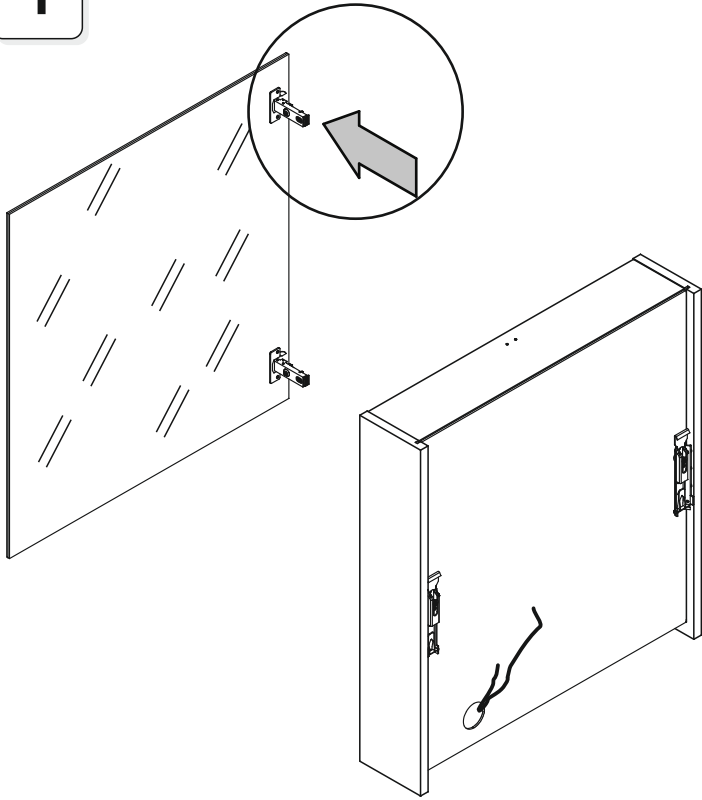
9

D3	G71	G72	P0	P2	P11	PE3
						
x 8	x 1	x 1	x 20 $\varnothing 5$	x 2 $\varnothing 18$	x 2	x 1

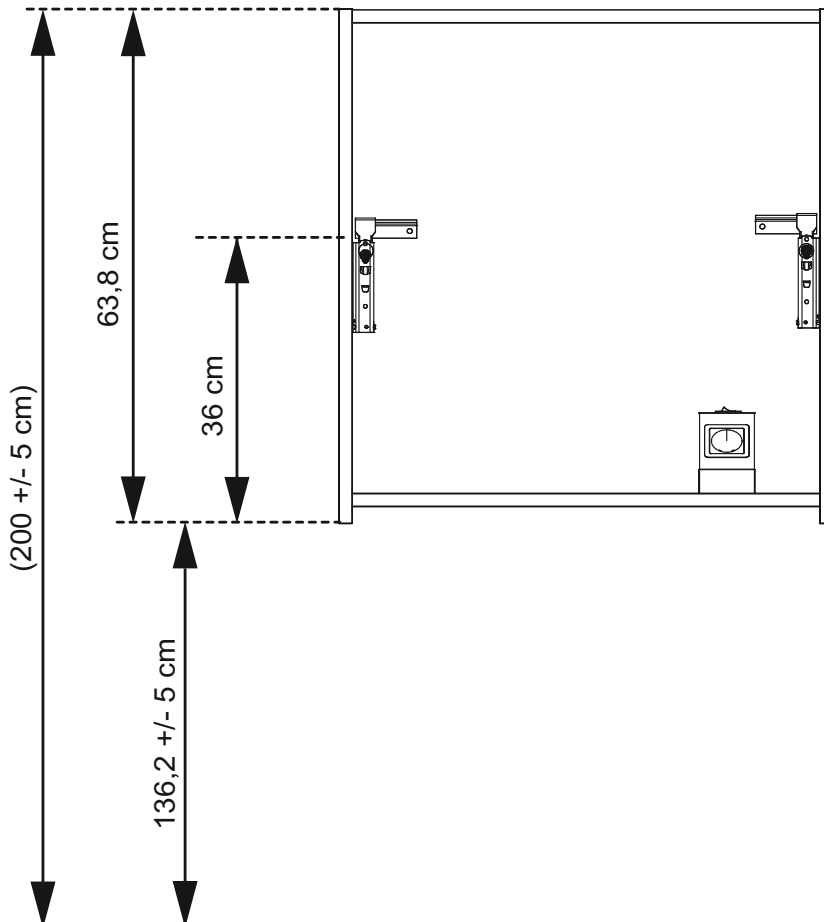
x4



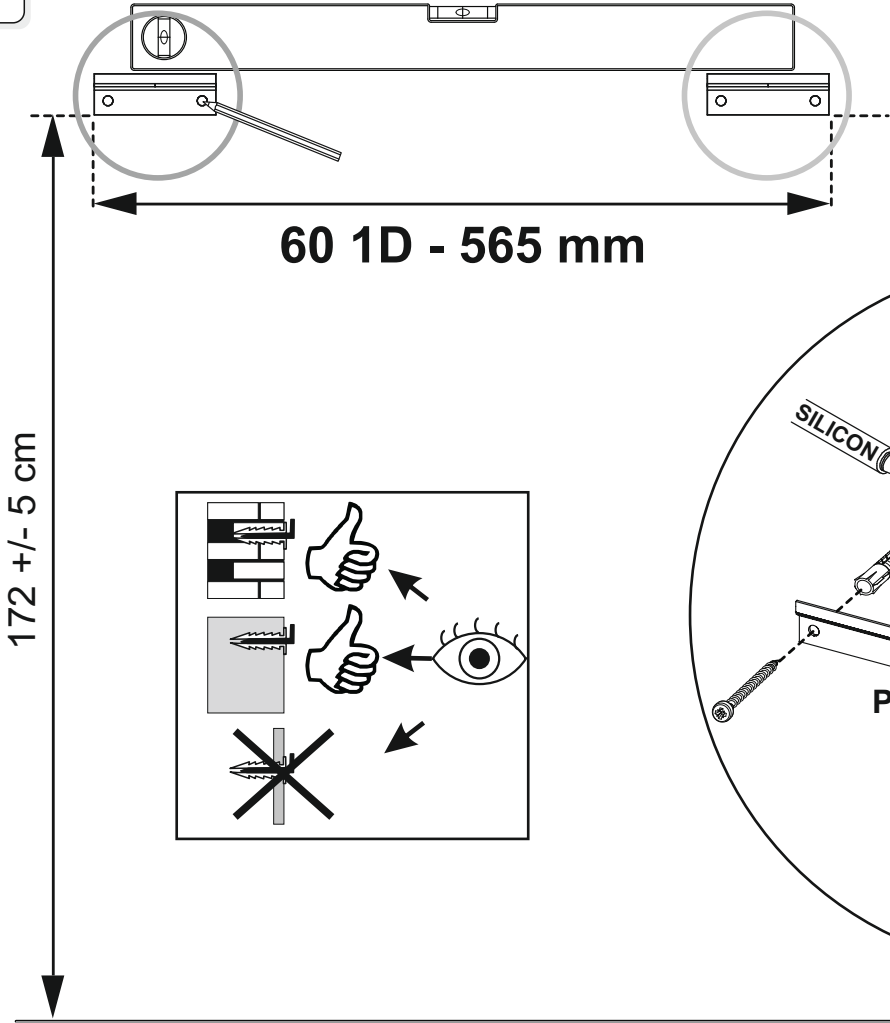
1



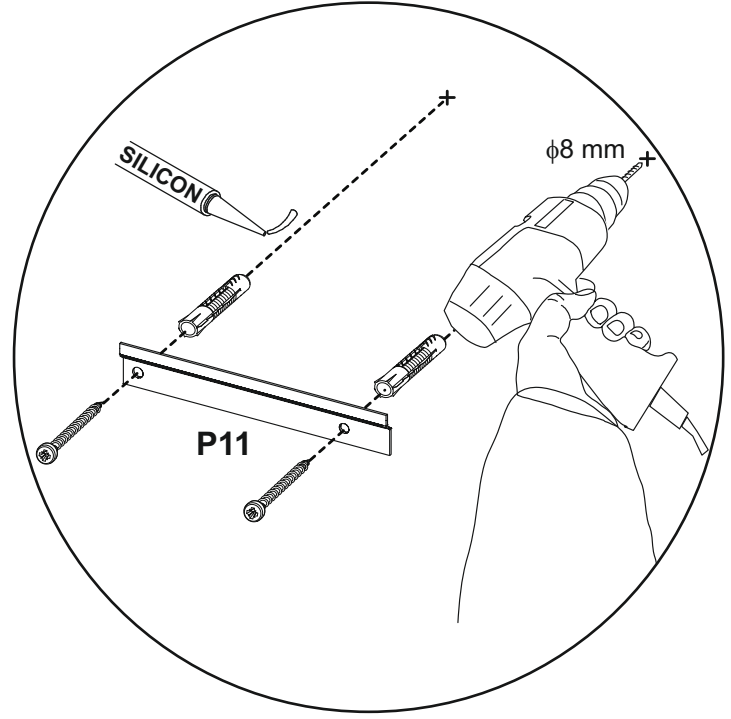
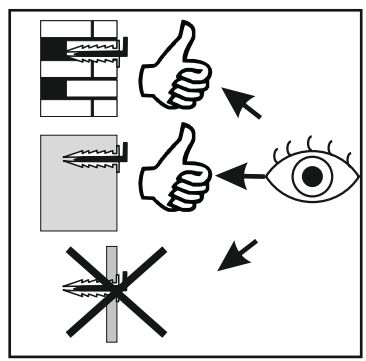
2



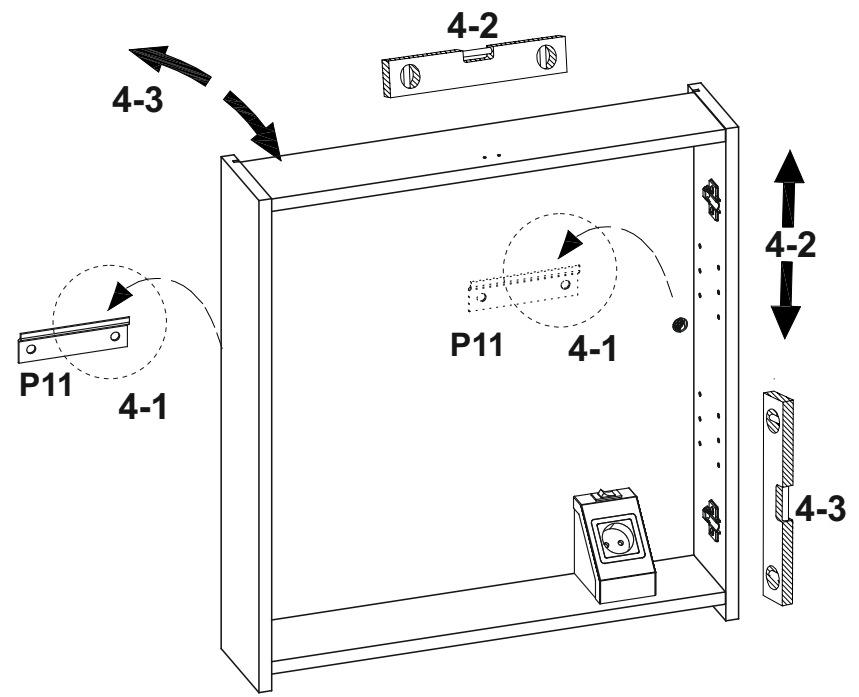
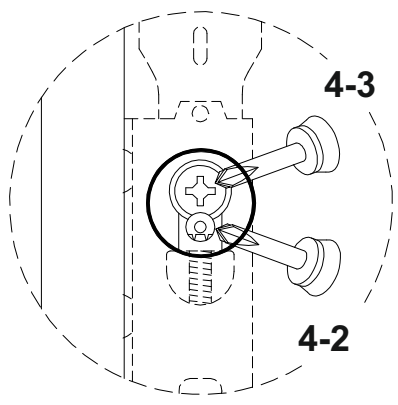
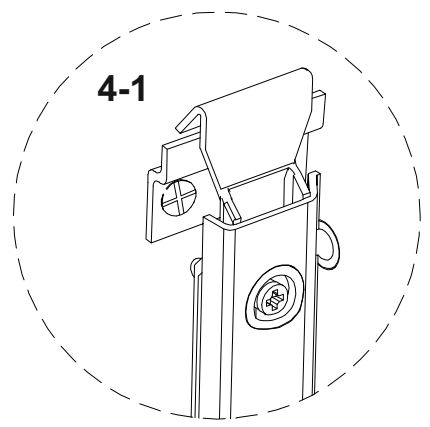
3



x4



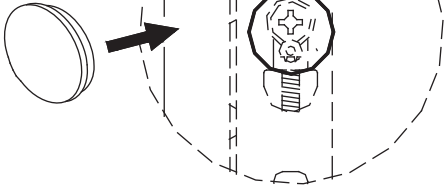
4



5

P2

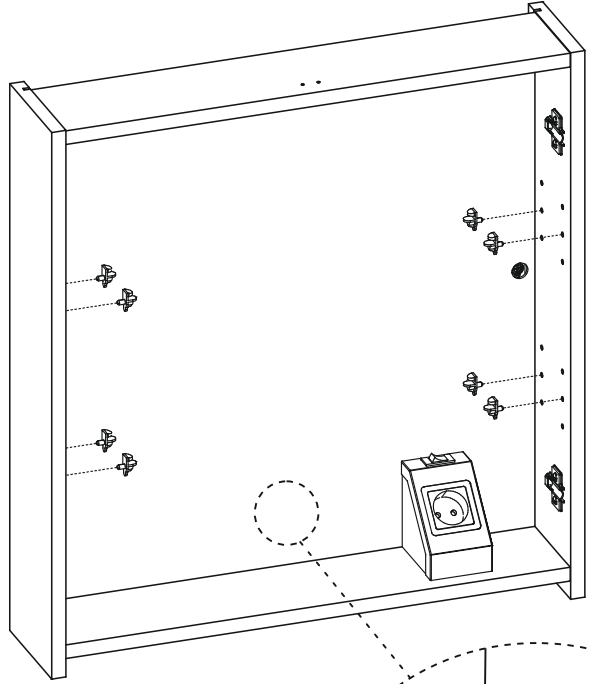
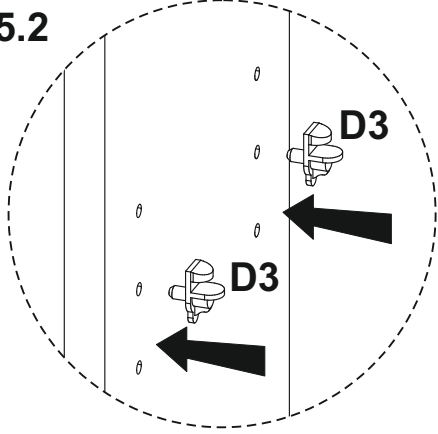
5.1



5.2

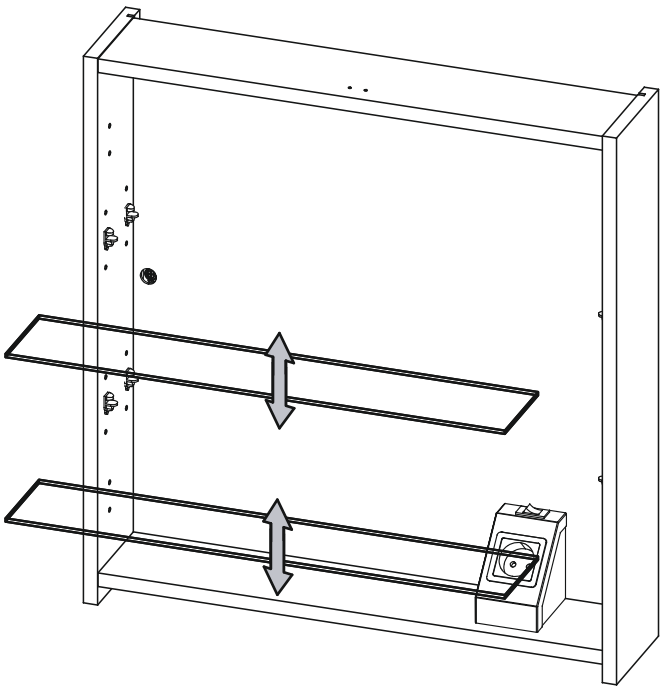
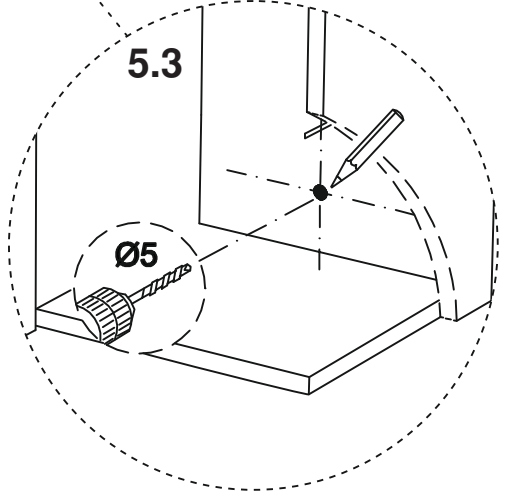
D3

D3



5.3

Ø5



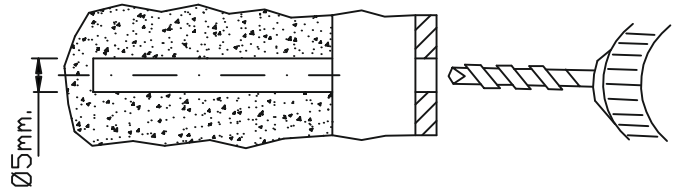
5.4

59mm.

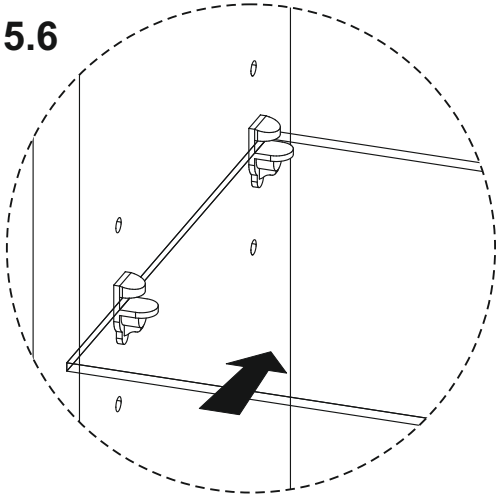
40mm.

16mm.

3mm.



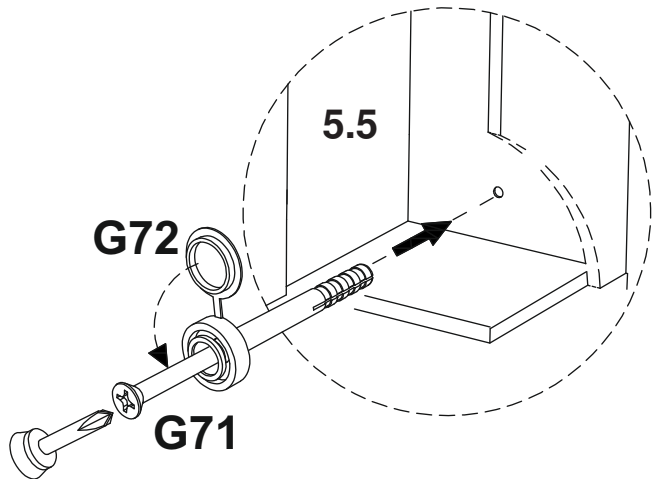
5.6



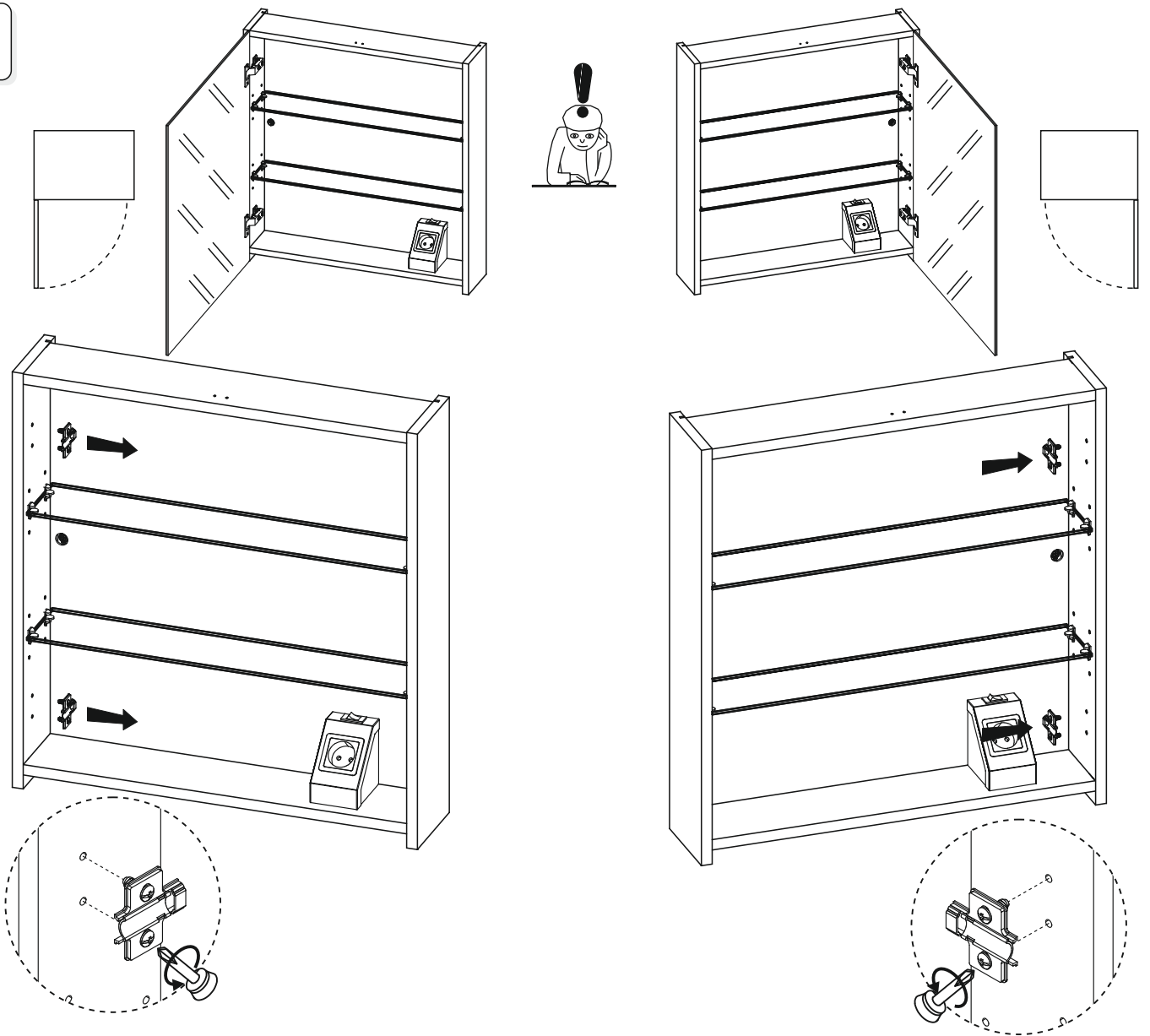
5.5

G72

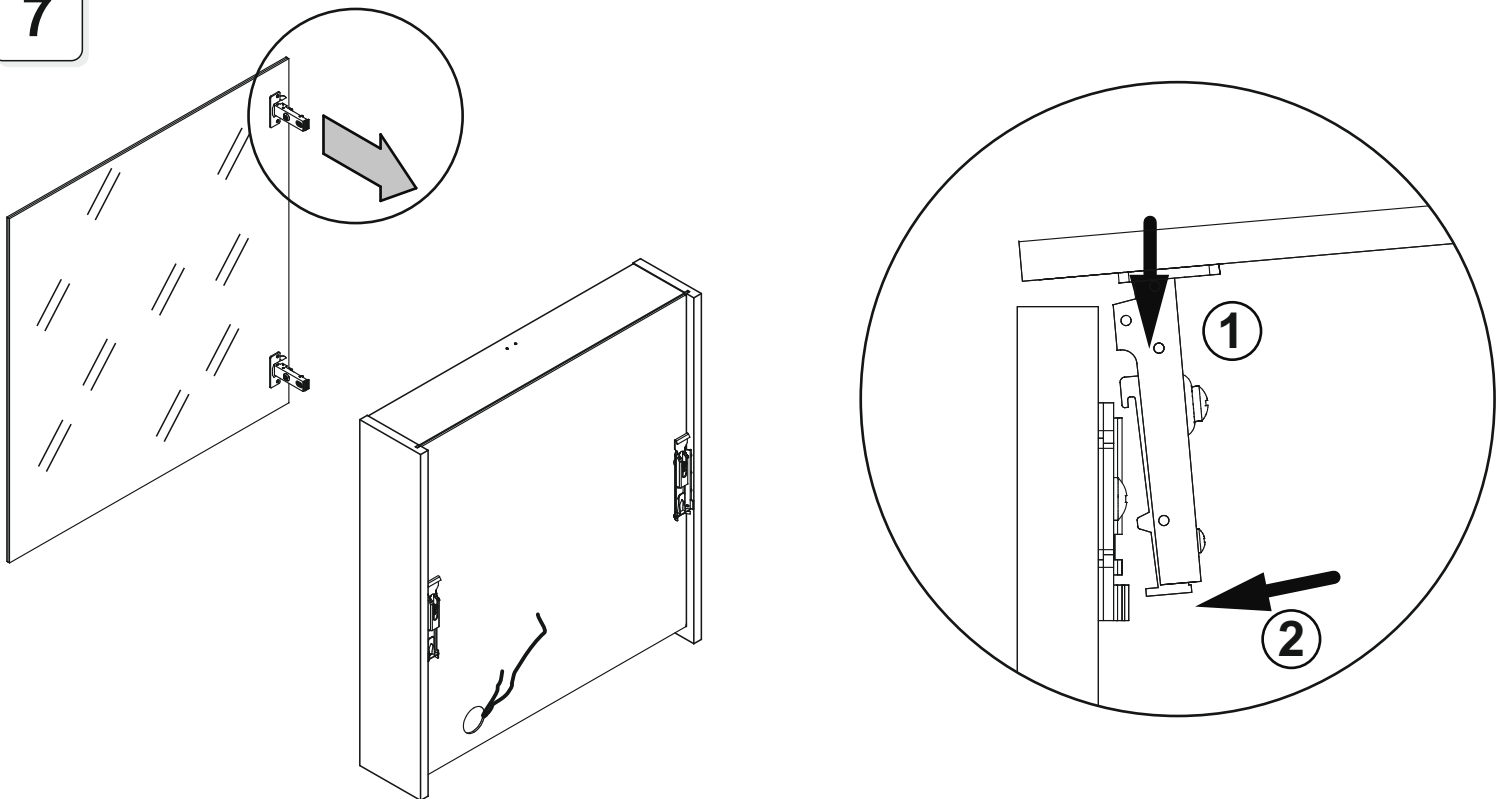
G71



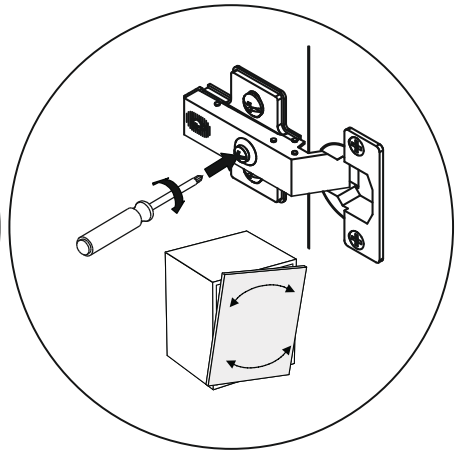
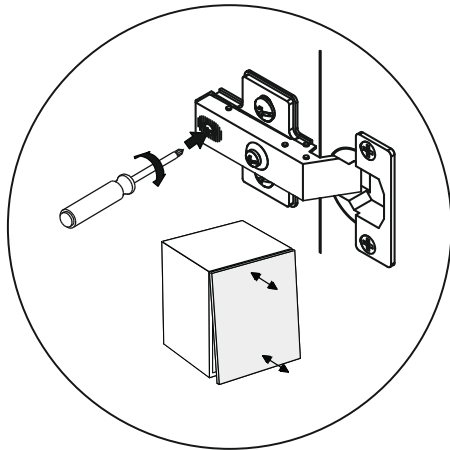
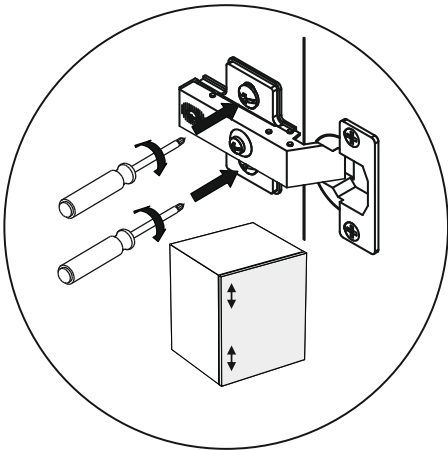
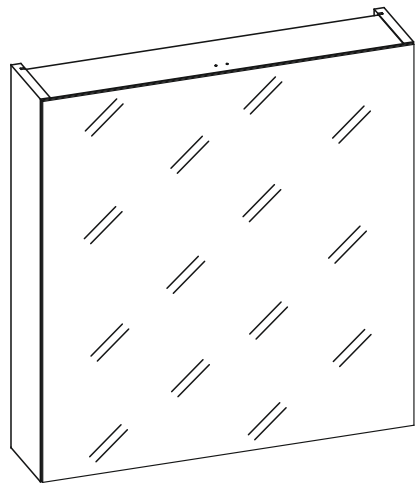
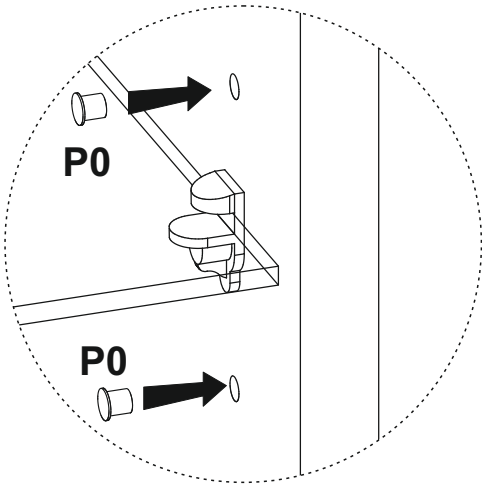
6



7



8



9

